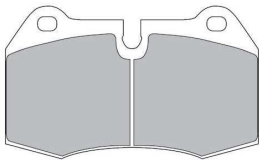
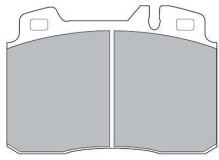
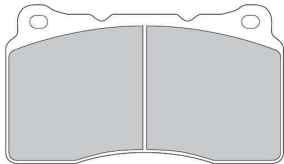
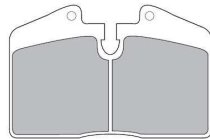


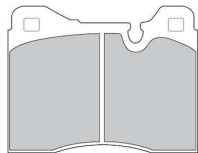
Ferrari

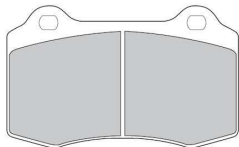
 W120×H73.7mm i125
Ferrari 456GT/GTA
D300i=¥18,900 (税込)
D550i=¥23,100 (税込)
D750iL/D750i=¥28,350 (税込)

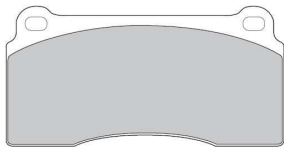
 W99.8×H73.5×T15.5mm i134
Ferrari 456GT(Front ATE Caliper)
D300i=¥18,900 (税込)
D550i=¥23,100 (税込)
D750iL/D750i=¥28,350 (税込)

 W131.8×H77.2mm i147
Ferrari 430
D300i=¥18,900 (税込)
D550i=¥23,100 (税込)
D750iL/D750i=¥28,350 (税込)

 W97.8×H65.5mm i151
Ferrari 348/F355
D300i=¥18,900 (税込)
D550i=¥23,100 (税込)
D750iL/D750i=¥28,350 (税込)

 W90×H70.5mm i155
Ferrari TESTAROSSA
D300i=¥18,900 (税込)
D550i=¥23,100 (税込)
D750iL/D750i=¥28,350 (税込)

 W109.8×H69.2×T15mm i1039
Ferrari 360 MODENA
D300i=¥23,100 (税込)
D550i=¥27,300 (税込)
D750iL/D750i=¥32,550 (税込)

 W131.6×H66.8mm i1040
Ferrari F40/F50
D300i=¥23,100 (税込)
D550i=¥27,300 (税込)
D750iL/D750i=¥32,550 (税込)